



ADHESIVE SOLUTIONS FOR COURIER PACKAGING



**QUALITY
CONFIRMED**
IN THE LABORATORY

2



MATERIALS FOR COURIER PACKAGES



Solutions for reliable packaging

Our products are developed for smooth operation on automatic lines.



EXTENDED LINER



TENSILE STRENGTH



INSTANT BONDING

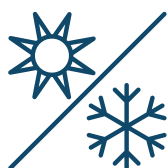
Excellent choice for sealing bags: the double-sided tape with high adhesion SM 3004 and effective materials for separate application of glue on the liner provide ideal high initial tack and final bonding strength. All our products undergo detailed laboratory testing.



MOISTURE RESISTANCE



ANTI-TAMPER SECURITY



RESISTANCE TO
TEMPERATURE CHANGES

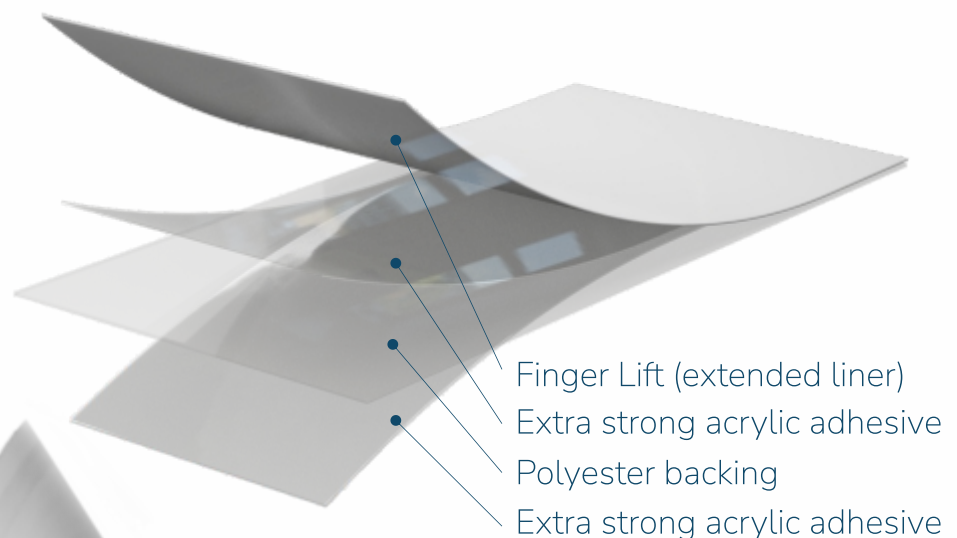


LONG-TERM
RELIABILITY

DOUBLE SIDED ADHESIVE TAPE

SM 3004

Double-sided adhesive tape SM 3004 is designed for automated application on a conveyor (production line) during the production of courier bags. Instant and strong gluing of the bag edges (paper/polyethylene) provides strong, permanent closing of package. The tape has high resistance to temperature changes, humidity, UV radiation, ensuring the integrity of the package under any condition.



Finger Lift (extended liner)

It will significantly facilitate the removal of the protective layer without contact with the adhesive.

It will ensure a perfectly clean and neat fixation of envelope flap.

Tape thickness:	0,1 mm.
Liner thickness:	0,06 mm.
Roll length	500 meters
Adhesive layer width:	from 6 to 12 mm.
Liner width:	from 10 to 18 mm.

ANTI-ADHESIVE TAPE (LINER)

The courier bag liner allows you to securely close the adhesive layer and protect it from external factors until the courier bag is used. The anti-adhesive coating allows you to easily separate the liner from the adhesive layer when using it after a long period of storage.



Liner thickness:

15 — 25 microns.

Liner width:

15 — 25 mm.

Roll length:

up to 5000 meters

HOT MELT GLUE

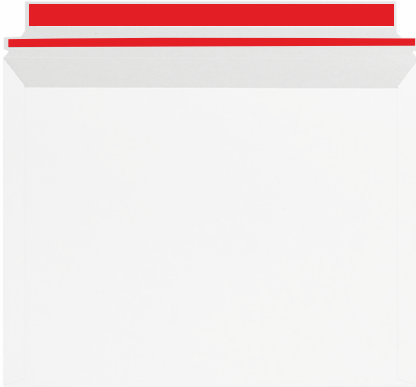


Thermoplastic adhesive with residual tack applied in a molten state.

Key component of the bonding system responsible for forming an adhesive bond with the bag body after the liner is removed by the user.

MATERIALS FOR COURIER ENVELOPES





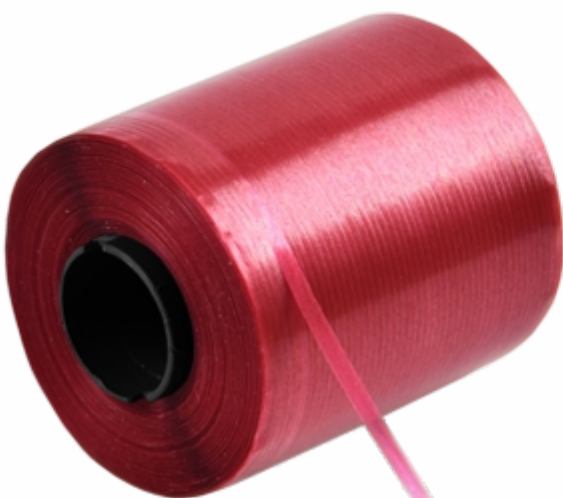
Integrated approach

Double-sided tape ensures strong, permanent gluing of the envelope flap, and special opening tape ensures easy opening by the recipient without damaging the envelope.

TEAR STRIP (TAPE) FOR EASY OPENING

SM 2011

Pull Tab: A narrow strip with one-sided adhesive. One end (the “tab”) is free, the other is fixed to the envelope body. **Pull Tab function:** By pulling the “tab”, the user tears the flap with the tape from the body along the gluing line.



- ✓ NEAT OPENING OF THE PACKAGE
- ✓ WORKING WITH TAPE ON EQUIPMENT
- ✓ TENSILE STRENGTH
- ✓ HEAT RESISTANCE

Tape thickness:

80 microns.

Tape width

4 mm.

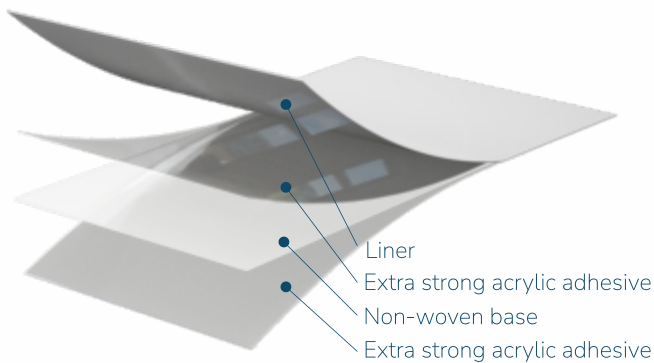
Roll length:

from 4,000 to 20,000 meters

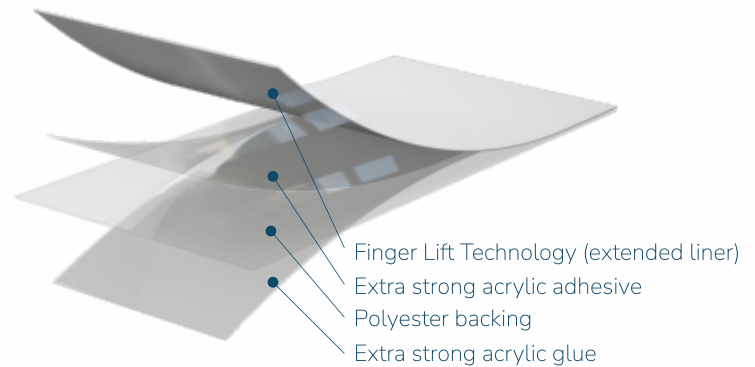
DOUBLE SIDED ADHESIVE TAPES

Special adhesive tapes SM 1506-80 and SM 3004 for reliable sealing of courier envelopes. Tape SM 1506-80 on a non-woven backing with acrylic adhesive provides instant adhesion. The SM 3004 tape has a strong backing, aggressive adhesive layer and is equipped with a extended liner (Finger Lift). Both tapes will provide a strong and durable connection of package seams, both tapes are resistant to UV exposure and various environmental conditions.

SM 1506-80



SM 3004



	SM 1506-80	SM 3004
Finger Lift Technology (extended liner)	NO	YES
Non-woven backing	YES	NO
Polyester backing	NO	YES
Acrylic glue	YES	YES
Tape thickness	0,08 mm.	0,1 mm.
Liner thickness	0,06 mm.	0,06 mm.
Roll length	from 100 до 9 000 meters	500 meters
Adhesive layer width	from 5 to 25 mm.	from 6 to 12 mm.
Liner width	from 5 to 25 mm.	from 10 to 18 mm.



SM Chemie is a modern, developing Russian brand; a wide range of adhesives and adhesive tapes is manufactured under the SM Chemie brand

We are a team that believes that a reliable and elegant solution exists for bonding any material and our adhesive tapes have a multitude of formulations developed for a variety of industries. We work with engineers, builders, craftsmen, and homemakers, understanding their unique needs. We don't just create tape — we create bonding technologies that erase the boundaries between materials and industries.

We have:

- Two divisions in Moscow and Yekaterinburg.
- Two modern production facilities.
- Our own laboratory conducts strict quality control of all products.



Thank you for your attention

For details, please contact your manager

Bldg. 30, Bldg. 1, Pom. 2. , 3rd Magistralnaya St.,
Moscow, Russia

st. Nachdiva Vasilyeva, 3, office 207
Yekaterinburg, Russia

+7 (929) 689-76-79
zakaz@slitmaster.ru

EAC

**СДЕЛАНО
В РОССИИ**

tapezip.ru
slitmaster.ru